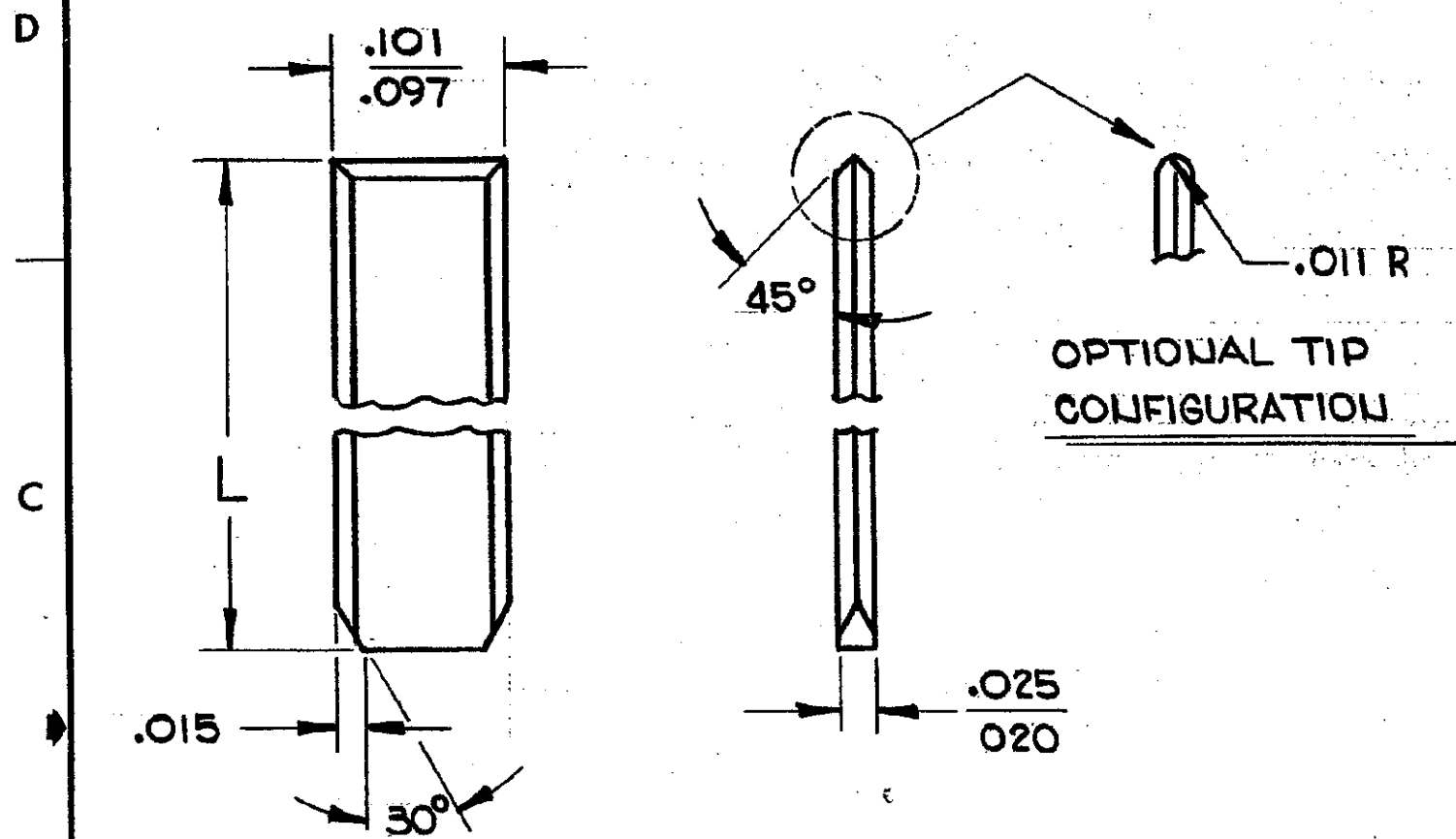


DRAWING MADE IN THIRD ANGLE PROJECTION

THIS DRAWING IS UNPUBLISHED. RELEASED FOR PUBLICATION, 19
 © COPYRIGHT 1967 BY AMP INCORPORATED, HARRISBURG, PA. ALL INTERNATIONAL RIGHTS RESERVED. AMP PRODUCTS MAY BE COVERED BY U.S. AND FOREIGN PATENTS AND/OR PATENTS PENDING.

REVISIONS					
P/F	ZONE	LTR	DESCRIPTION	DATE	APPROVED
✓		D	REVISED AND REDRAWN G778 103	8-31-83	H.W. Roan
✓		E	OBS -2 & -4 PER AD1831	3-22-88	LB
✓		F	REV PER EC 0320-344-47	8-11-97	NS



OBSOLETE	NYLON	NATURAL	.495/.485	583274-4
	GLASS-FILLED POLYESTER	NATURAL	.295/.275	583274-3
OBSOLETE	NYLON	YELLOW	.295/.275	583274-2
	NYLON	NATURAL	.295/.275	583274-1
	MATERIAL	COLOR	L	PART NO

UNLESS OTHERWISE SPECIFIED DIMENSIONS ARE IN INCHES. TOLERANCES ON: DECIMALS ±.005 ANGLES ±	CONTRACT NO	AMP INCORPORATED Harrisburg, Pa.	
	DR. IRSHAFFUER 8-31-83	AMP	
MATERIAL SEE CHART	CHK. Howard W. Roan 8/31/83	NAME KEY FOR AMP LEAF HOUSING, INTER-CONTACT, .020 THICK	
FINISH #	APPD. Howard W. Roan 8/31/83 APPD. D.D. [unclear] 8/31/83		
	DSGN APPD	SIZE B	FSCM NO 00779
	OTHER APPD	DRAWING NO 583274	
		SCALE 10-1	SHEET 1 OF 1